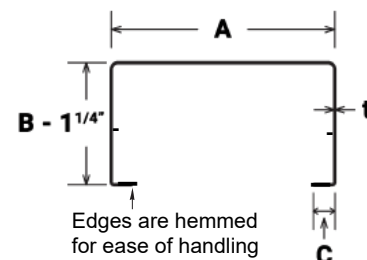
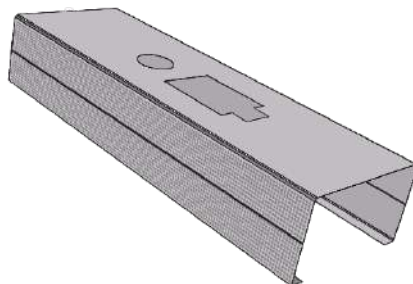


# DASS PRO STUD

## TECHNICAL SPECIFICATIONS



### Non-Load Bearing Steel Stud (Light Gauge)





**DASS PRO STUD**

A = Width	B = Flange	C = Lip	t = Thickness	Standard Length
1 5/8"	1 1/4"	3/16"	25 gauge	8', 9', 10', 12' & Custom Length
2 1/2"				
3 5/8"				
6"				

**Note:** Custom lengths and sizes are available for all studs, tracks, and drywall accessories

### CONTACT US

 905 677 0456

 905 678 6587

 sales@dassmetal.com

 1575 Drew Rd  
Mississauga  
ON L5S 1S5

### USAGE & CHARACTERISTICS

**Use Case:** Interior framing.

**Description:** DASS Non-Load Bearing Steel Stud (Light Gauge) steel framing features lightweight, high-strength steel combined with an innovative design optimizing performance. As the safest drywall system on the market, the knurling pattern and ribs over the web and flange offers improved strength, structural performance, and reduces the chance of stripped connections. The knurling pattern and ribs over the web and flange improve strength and structural performance and enable easy screw penetration.

### DESIGN & ENGINEERING STANDARDS



CSSBI Certificate Number:  
Q108356

DASS Non-Load Bearing Steel Studs (Light Gauge) are designed and engineered to meet or exceed CSSBI Standard 61-2018.

CSSBI is an institute which complies with AISI, ASTM, and CSA standards under a certification program monitored and inspected by a third party.

**COST-EFFECTIVE**

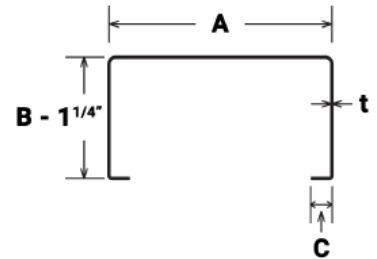
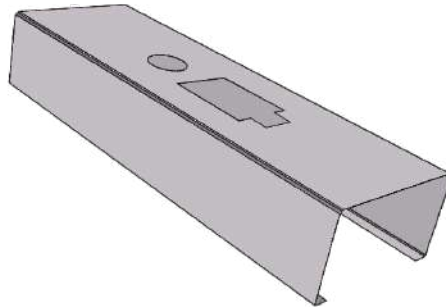
**DURABLE**

**PRECISION**






## Load Bearing Steel Stud (Heavy Gauge)




A = Width	B = Flange	C = Lip	t = Thickness	Standard Length
1 5/8"	1 1/4"	3/16"	Gauge: 20	8', 9', 10', 12' & Custom Length
2 1/2"				
3 5/8"				
6"				
8"				
10"				
12"				
12"				
8"	2 1/2"	5/8"	16	
10"	3"		14	
12"			12	

**Note:** Custom lengths and sizes are available for all studs, tracks, and drywall accessories

### CONTACT US

 905 677 0456

 905 678 6587

 sales@dassmetal.com

 1575 Drew Rd  
Mississauga  
ON L5S 1S5

## USAGE & CHARACTERISTICS

**Use Case:** Curtain walls, Load Bearing & Non-load Bearing Walls, floor and roof joist assemblies.

**Description:** DASS Load Bearing Steel Stud (Heavy Gauge) steel framing features high-strength, corrosion-resistant galvanized steel combined with an innovative design. Pre-punched holes provide easy installation for bridging, electrical, and plumbing applications.

## DESIGN & ENGINEERING STANDARDS



CSSBI Certificate Number:  
Q108356

DASS Load Bearing Steel Studs (Heavy Gauge) are designed and engineered to meet or exceed CSSBI Standard 61-2018.

CSSBI is an institute which complies with AISI, ASTM, and CSA standards under a certification program monitored and inspected by a third party.

**COST-EFFECTIVE**

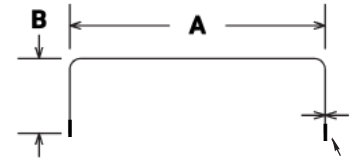
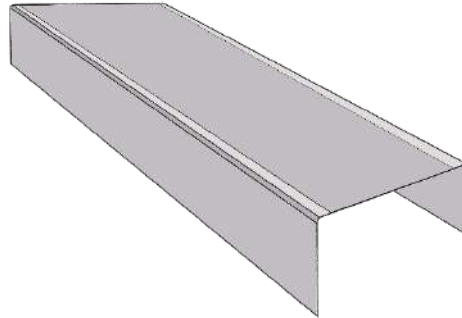
**DURABLE**

**PRECISION**





## Standard Track Products - Light Gauge



Dass Tracks are Heamed for Ease of Use

A = Width	B = Leg	t = Thickness	Standard Length
1 5/8"	1 1/4" 2" 2 1/2" 3" Custom	Gauge:  25	10' & Custom
2 1/2"			
3 5/8"			
6"			
8"			

**Note:** Custom lengths and sizes are available for all studs, tracks, and drywall accessories

### CONTACT US



905 677 0456



905 678 6587



sales@dassmetal.com



1575 Drew Rd  
Mississauga  
ON L5S 1S5

## USAGE & CHARACTERISTICS

**Use Case:** Customized lengths and widths to accommodate various building designs.

**Description:** DASS Standard Track is heamed for the ease of use. They are custom manufactured to meet the specific requirements of non-standard building designs.

## DESIGN & ENGINEERING STANDARDS



CSSBI Certificate Number:  
Q108356

DASS Standard Track Products are designed and engineered to meet or exceed CSSBI Standard 61-2018.

CSSBI is an institute which complies with AISI, ASTM, and CSA standards under a certification program monitored and inspected by a third party.

**COST-EFFECTIVE**

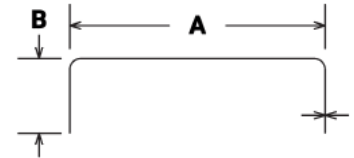
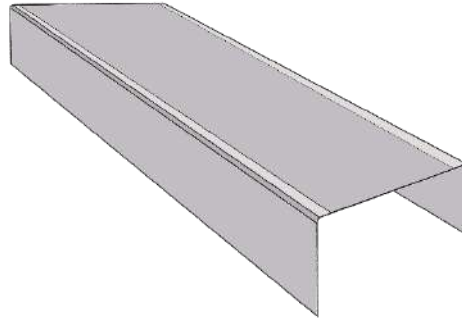
**DURABLE**

**PRECISION**






## Standard Track Products - Heavy Gauge




A = Width	B = Leg	t = Thickness	Standard Length
1 5/8"	1 1/4"	Gauge:	10' & Custom
2 1/2"		20	
3 5/8"		18	
6", 8"		16	
10"		14	
12"		12	

**Note:** Custom lengths and sizes are available for all studs, tracks, and drywall accessories

### CONTACT US

 905 677 0456

 905 678 6587

 sales@dassmetal.com

 1575 Drew Rd  
Mississauga  
ON L5S 1S5

### USAGE & CHARACTERISTICS

**Use Case:** Customized lengths and widths to accommodate various building designs.

**Description:** They are custom manufactured to meet the specific requirements of non-standard building designs.

### DESIGN & ENGINEERING STANDARDS



CSSBI Certificate Number:  
Q108356

DASS Standard Track Products are designed and engineered to meet or exceed CSSBI Standard 61-2018.

CSSBI is an institute which complies with AISI, ASTM, and CSA standards under a certification program monitored and inspected by a third party.

**COST-EFFECTIVE**

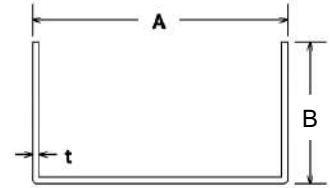
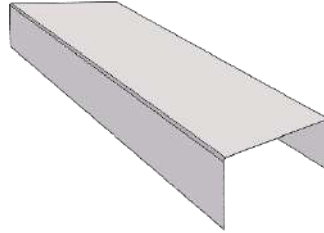
**DURABLE**

**PRECISION**





## Deep Track



A = Width	B = Leg	t = Thickness	Standard Length
1 5/8"	2" 2 1/2" 3" 3 1/2"	Gauge: 25 20 18 16 14 12	10' & Custom
2 1/2"			
3 5/8"			
4"			
6"			
8"			
10"			
12"			

**Note:** Custom lengths and sizes are available for all studs, tracks, and drywall accessories

## USAGE & CHARACTERISTICS

**Use Case:** Accommodates deflection across a variety of applications.

**Description:** Designed for applications where wall heights may vary slightly along their length, e.g., uneven concrete, etc., DASS Deep Tracks accommodate ceiling deflection in loadbearing and non-loadbearing applications.

## DESIGN & ENGINEERING STANDARDS





CSSBI Certificate Number:  
Q108356

DASS Deep Tracks are designed and engineered to meet or exceed CSSBI Standard 61-2018.

CSSBI is an institute which complies with AISI, ASTM, and CSA standards under a certification program monitored and inspected by a third party.

### CONTACT US

 905 677 0456

 905 678 6587

 sales@dassmetal.com

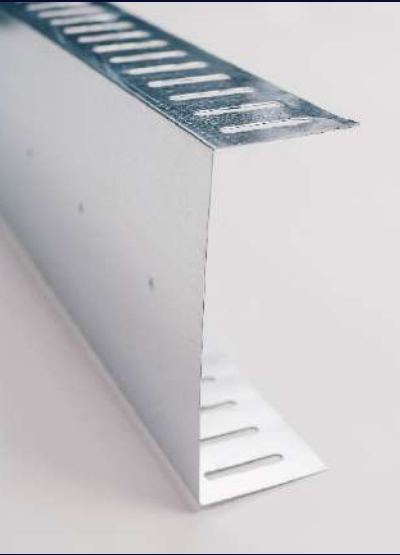
 1575 Drew Rd  
Mississauga  
ON L5S 1S5



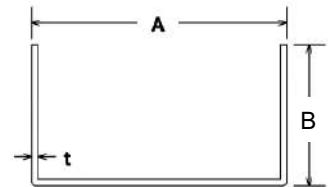
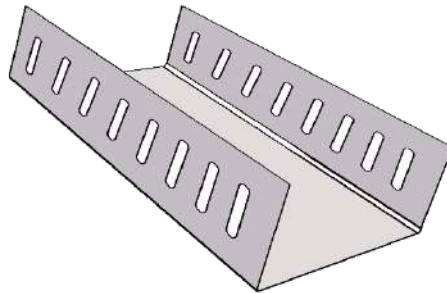
**COST-EFFECTIVE**

**DURABLE**

**PRECISION**




## Slotted Deflection Track




A = Width	B = Leg	t = Thickness	Standard Length
2 1/2"	2 1/2"	Gauge:	10'
3 5/8"		25	
4"		20	
6"		18	
8"		16	
10"		14	
12"		12	

**Note:** Custom lengths and sizes are available for all studs, tracks, and drywall accessories

### CONTACT US

 905 677 0456

 905 678 6587

 sales@dassmetal.com

 1575 Drew Rd  
Mississauga  
ON L5S 1S5

## USAGE & CHARACTERISTICS

**Use Case:** Accommodates deflection across a variety of applications.

**Description:** Designed to accommodate wall deflection in both loadbearing and non-loadbearing applications, DASS Slotted Deflection tracks include pre-punched 1-1/2" slots - spaced at 1" on-center for maximum flexibility - along both flanges, allowing for deflection through the rack. Quick to install, the reduces both labour and material costs while accommodating deflection requirements for virtually any applications.

## DESIGN & ENGINEERING STANDARDS



CSSBI Certificate Number:  
Q108356

DASS Slotted Deflection Tracks are designed and engineered to meet or exceed CSSBI Standard 61-2018.

CSSBI is an institute which complies with AISI, ASTM, and CSA standards under a certification program monitored and inspected by a third party.

**COST-EFFECTIVE**

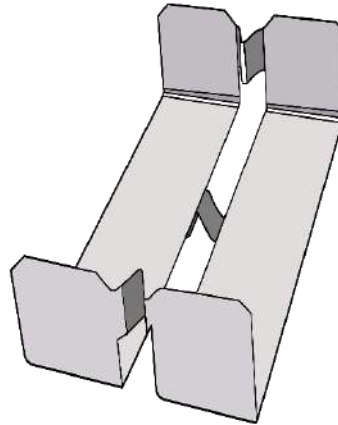
**DURABLE**

**PRECISION**







## U-Flex Track




A = Width	B = Flange	C = Lip	t = Thickness	Standard Length
2 1/2"	1 1/4"	1/4"	25 gauge 20 gauge	8'
3 5/8"				
6"				

### CONTACT US

 905 677 0456

 905 678 6587

 sales@dassmetal.com

 1575 Drew Rd  
Mississauga  
ON L5S 1S5

### USAGE & CHARACTERISTICS

**Use Case:** Enables the construction of arches and curved profiles.

**Description:** An innovative product with both horizontal and vertical flexibility, DASS U-Flex is a fast, simple, and economical way to create identical shapes. Adapting to all types of contoured steel and wood framing, it enables the construction of curved arches, ceilings, columns, and walls.

### DESIGN & ENGINEERING STANDARDS



CSSBI Certificate Number:  
Q108356

DASS U-Flex Tracks are designed and engineered to meet or exceed CSSBI Standard 61-2018.

CSSBI is an institute which complies with AISI, ASTM, and CSA standards under a certification program monitored and inspected by a third party.

**COST-EFFECTIVE**

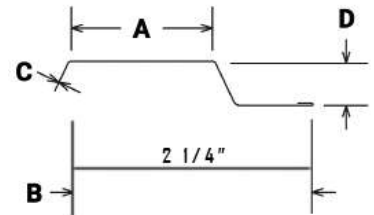
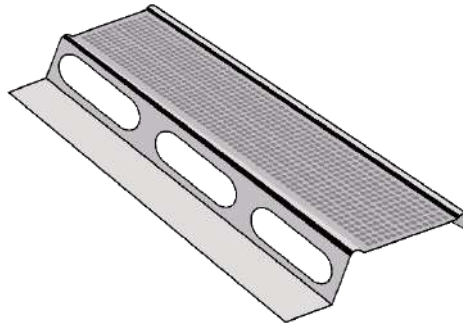
**DURABLE**

**PRECISION**







## Resilient Channel



### CONTACT US

 905 677 0456

 905 678 6587

 sales@dassmetal.com

 1575 Drew Rd  
Mississauga  
ON L5S 1S5

A = Width	B = Flange	C = Thickness	D = Depth	Standard Length
1 1/4"	2 1/4"	25 gauge	1/2"	12' & Custom

**Note:** Custom lengths and sizes are available for all studs, tracks, and drywall accessories

### USAGE & CHARACTERISTICS

**Use Case:** Improves STC (Sound Transmission Class) ratings for ceiling and wall assemblies.

**Description:** DASS Resilient Channel is a cost-effective solution meeting specified STC (Sound Transmission Class) ratings for reducing sound transmission through ceilings and walls. When used with steel studs or joists in multi-unit buildings, recording studio walls, etc., the pre-punched holes in the metal web increase resiliency, blocking the transmission of sounds through the steel.

### DESIGN & ENGINEERING STANDARDS



CSSBI Certificate Number:  
Q108356

DASS Resilient Channels are designed and engineered to meet or exceed CSSBI Standard 61-2018.

CSSBI is an institute which complies with AISI, ASTM, and CSA standards under a certification program monitored and inspected by a third party.

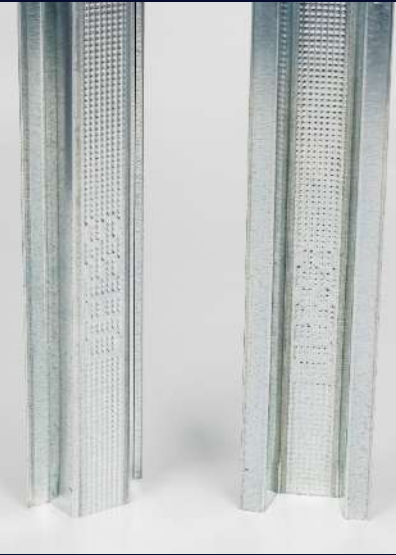
**COST-EFFECTIVE**

**DURABLE**

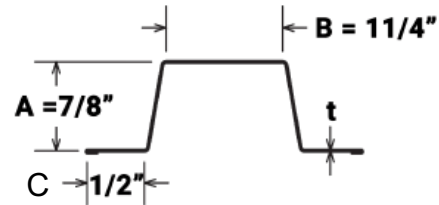
**PRECISION**









## Furring Channel



### CONTACT US

 905 677 0456

 905 678 6587

 [sales@dassmetal.com](mailto:sales@dassmetal.com)

 1575 Drew Rd  
Mississauga  
ON L5S 1S5

A = Depth	B = Width	C = Flange	t = Thickness	Standard Length
7/8"	1 1/4"	1/2"	Gauge	
			25	10'
			20	12'
				Custom

**Note:** Custom lengths and sizes are available for all studs, tracks, and drywall accessories

## USAGE & CHARACTERISTICS

**Use Case:** Connects the wall finish i.e., drywall, siding, etc. to the structure.

**Description:** DASS Furring Channel is a versatile hat-shaped metal channel designed to "furr" out a surface for the application of the final finish. The framing accessory features high-strength, corrosion-resistant galvanized steel, and may be used in conjunction with other DASS channels to construct drywall ceilings.

## DESIGN & ENGINEERING STANDARDS



CSSBI Certificate Number:  
Q108356

DASS Furring Channels are designed and engineered to meet or exceed CSSBI Standard 61-2018.

CSSBI is an institute which complies with AISI, ASTM, and CSA standards under a certification program monitored and inspected by a third party.

**COST-  
EFFECTIVE**

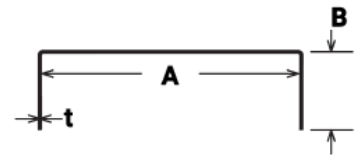
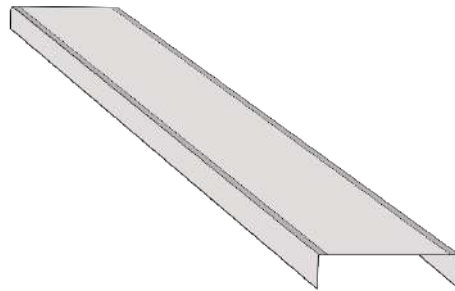
**DURABLE**

**PRECISION**





## Bridging/Carrying Channel



### CONTACT US



905 677 0456



905 678 6587



sales@dassmetal.com



1575 Drew Rd  
Mississauga  
ON L5S 1S5

A = Depth	B = Leg	t = Thickness	Standard Length
3/4"	1/2"	(Gauge) 18	12' & Custom
1 1/2"	1/2"	16	

**Note:** Custom lengths and sizes are available for all studs, tracks, and drywall accessories

### USAGE & CHARACTERISTICS

**Use Case:** Stiffens and stabilizes walls, preventing torsional buckling of steel stud sections.

**Description:** DASS Bridging/Carrying Channel prevents stud rotation under heavy loads. For every location where the carrying channel meets a stud, e.g. for curtain wall assemblies, bridging clips must be used to join the two.

### DESIGN & ENGINEERING STANDARDS



CSSBI Certificate Number:  
Q108356

DASS Bridging/Carrying Channels are designed and engineered to meet or exceed CSSBI Standard 61-2018.

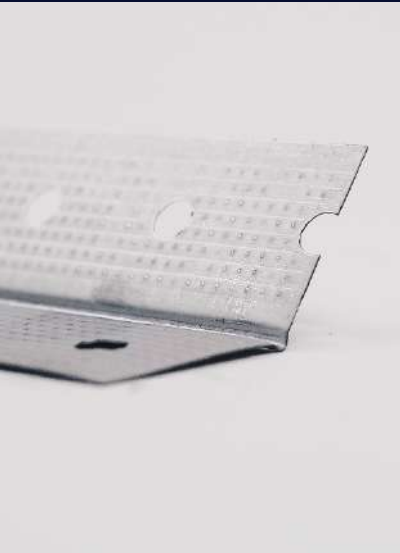
CSSBI is an institute which complies with AISI, ASTM, and CSA standards under a certification program monitored and inspected by a third party.

**COST-  
EFFECTIVE**

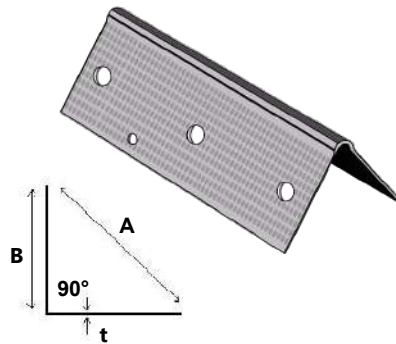
**DURABLE**

**PRECISION**

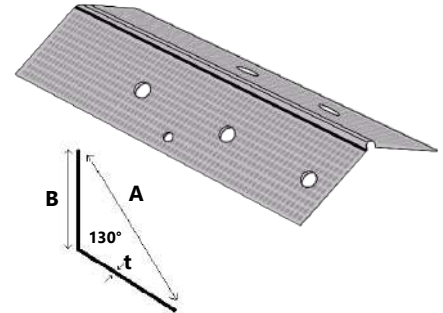




## 90° / 130° Cornerbead



90° Cornerbead



130° Cornerbead

### CONTACT US



905 677 0456



905 678 6587



sales@dassmetal.com



1575 Drew Rd  
Mississauga  
ON L5S 1S5

A = Angle	B = Flange	t = Thickness	Standard Length
90°	1 1/4" x 1 1/4"	25 gauge	8', 9', 10', 12' & Custom
130°			

**Note:** Custom lengths and sizes are available for all studs, tracks, and drywall accessories

### USAGE & CHARACTERISTICS

**Use Case:** Protects drywall corners from 90° to 130°.

**Description:** Fastened with nails, screws, or clinch-on tools, DASS 90° / 130° Cornerbead aids precision and provides excellent protection for right-angle and wide-angle corners. The holes and knurled surface provides superior adhesion of the joint compound.

### DESIGN & ENGINEERING STANDARDS



CSSBI Certificate Number:  
Q108356

DASS 90° / 130° Cornerbeads are designed and engineered to meet or exceed CSSBI Standard 61-2018.

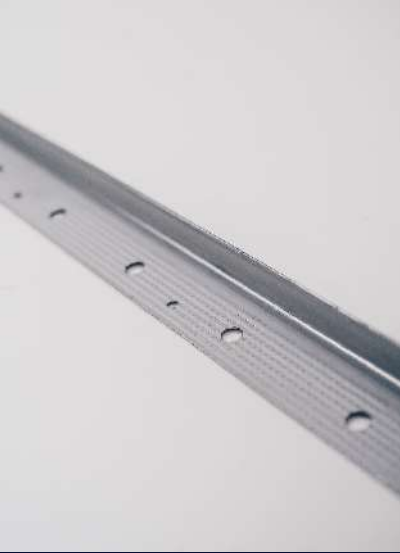
CSSBI is an institute which complies with AISI, ASTM, and CSA standards under a certification program monitored and inspected by a third party.

**COST-EFFECTIVE**

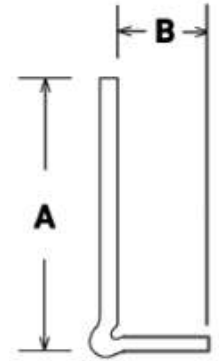
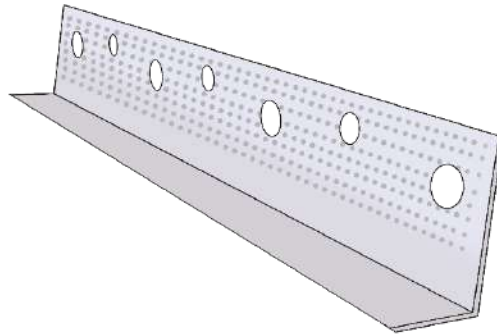
**DURABLE**

**PRECISION**







## L Trim



### CONTACT US

 905 677 0456

 905 678 6587

 sales@dassmetal.com

 1575 Drew Rd  
Mississauga  
ON L5S 1S5

A = Leg	B = Width	t = Thickness	Standard Length
1 1/4"	1/2"	25 gauge	8' , 10' & 12'
	5/8"		

**Note:** Custom lengths and sizes are available for all studs, tracks, and drywall accessories

## USAGE & CHARACTERISTICS

**Use Case:** Protects drywall edges.

**Description:** Also known as "half-bead," DASS L Trim protects drywall edges. Installed after the drywall is in place, it provides a clean, finished edge at door and window openings, and when the drywall abuts beams, concrete, masonry, plaster, or suspended ceilings. The 1 1/4" leg includes holes and knurls to provide increased adhesion and a smooth finish when the joint compound is applied.

## DESIGN & ENGINEERING STANDARDS



CSSBI Certificate Number:  
Q108356

DASS L Trims are designed and engineered to meet or exceed CSSBI Standard 61-2018.

CSSBI is an institute which complies with AISI, ASTM, and CSA standards under a certification program monitored and inspected by a third party.

**COST-  
EFFECTIVE**

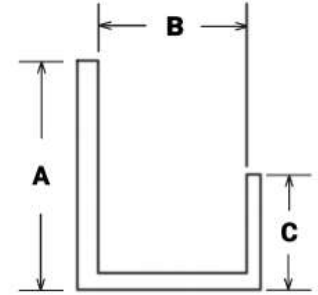
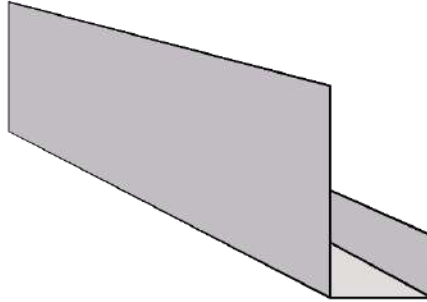
**DURABLE**

**PRECISION**







## J Trim



### CONTACT US

 905 677 0456

 905 678 6587

 [sales@dassmetal.com](mailto:sales@dassmetal.com)

 1575 Drew Rd  
Mississauga  
ON L5S 1S5

A = Leg	B = Width	C = Return	t = Thickness	Standard Length
1 1/4"	1/2"	3/8"	25 gauge	8', 10' & Custom
	5/8"			

**Note:** Custom lengths and sizes are available for all studs, tracks, and drywall accessories

### USAGE & CHARACTERISTICS

**Use Case:** Protects drywall edges.

**Description:** Manufactured in satin-coated galvanized steel, DASS J Trim provides edge protection at window and door openings, and where drywall butts up against concrete or other materials. Hemmed edges enable quick installation and eliminate the need for finishing with joint compound.

### DESIGN & ENGINEERING STANDARDS



CSSBI Certificate Number:  
Q108356

DASS J Trims are designed and engineered to meet or exceed CSSBI Standard 61-2018.

CSSBI is an institute which complies with AISI, ASTM, and CSA standards under a certification program monitored and inspected by a third party.

**COST-EFFECTIVE**

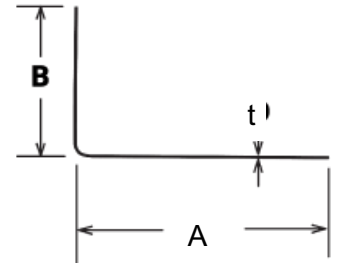
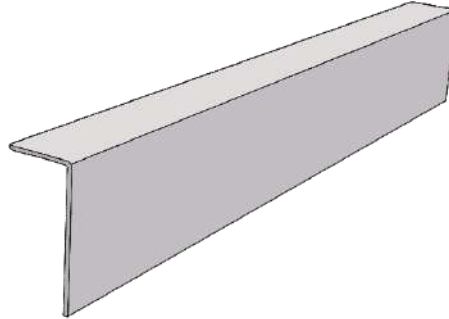
**DURABLE**

**PRECISION**






## L-Track




A = Width	B = Flange	t = Thickness	Standard Length
1 1/4"	1 1/4"	Gauge	10' & Custom
1 1/2"	1 1/2"	25	
1"	2"	20	
2"	2"	18	
3"	3"	16	
Custom	Custom	14	
		12	

**Note:** Custom lengths and sizes are available for all studs, tracks, and drywall accessories

### CONTACT US

 905 677 0456

 905 678 6587

 sales@dassmetal.com

 1575 Drew Rd  
Mississauga  
ON L5S 1S5

## USAGE & CHARACTERISTICS

**Use Case:** Accommodates design versatility or bulkheads, column framing, etc.

**Description:** A light gauge, galvanized steel utility angle available in a variety of profiles and gauges, DASS L-Track can be used to meet the needs of any application requirement.

## DESIGN & ENGINEERING STANDARDS



CSSBI Certificate Number:  
Q108356

DASS L-Tracks are designed and engineered to meet or exceed CSSBI Standard 61-2018.

CSSBI is an institute which complies with AISI, ASTM, and CSA standards under a certification program monitored and inspected by a third party.

**COST-  
EFFECTIVE**

**DURABLE**

**PRECISION**





## Windbrace



Windbrace

### CONTACT US

 905 677 0456

 905 678 6587

 sales@dassmetal.com

 1575 Drew Rd  
Mississauga  
ON L5S 1S5

Type	Thickness	Length
Windbrace	Gauge: 20	11'3"

**Note:** Custom lengths and sizes are available for all studs, tracks, and drywall accessories

### USAGE & CHARACTERISTICS

**Use Case:** To offer resistance to racking during construction.

**Description:** Windbrace is designed to offer resistance against racking during the construction process and also allows for exterior insulation. It has a flat surface which makes it easy to use both inside and outside.

### DESIGN & ENGINEERING STANDARDS



CSSBI Certificate Number:  
Q108356

DASS Special Profiles are designed and engineered to meet or exceed CSSBI Standard 61-2018.

CSSBI is an institute which complies with AISI, ASTM, and CSA standards under a certification program monitored and inspected by a third party.

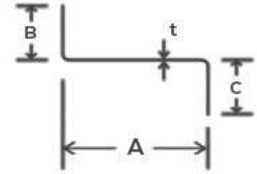
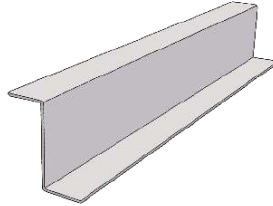
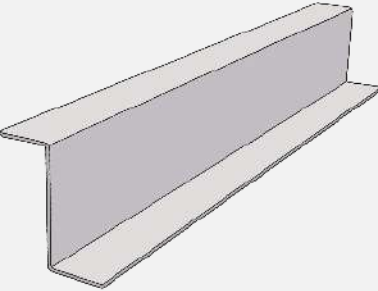
**COST-  
EFFECTIVE**

**DURABLE**

**PRECISION**



## Z-Bar



A = Width	B = Flange	C = Flange	t = Thickness	Standard Length
2"	1"	1"	Gauge: 25	10' & Custom
2 1/2"				
3"				
3 1/2"				
4"				
4 1/2"				
5"				
5 1/2"				
6"				
Custom				

**Note:** Custom length and sizes are available for all studs, tracks, and drywall accessories

## USAGE & CHARACTERISTICS

**Use Case:** Holds rigid insulation in place to fasten finishing, e.g. drywall or siding.

**Description:** Suitable for both exterior and interior applications, DASS Z-Bar holds rigid insulation in place, providing a suitable surface for fastening finishing, e.g. drywall, siding, or other materials.

## DESIGN & ENGINEERING STANDARDS





CSSBI Certificate Number:  
Q108356

DASS Z-Bars are designed and engineered to meet or exceed CSSBI Standard 61-2018.

CSSBI is an institute which complies with AISI, ASTM, and CSA standards under a certification program monitored and inspected by a third party.

## CONTACT US

 905 677 0456

 905 678 6587

 sales@dassmetal.com

 1575 Drew Rd  
Mississauga  
ON L5S 1S5

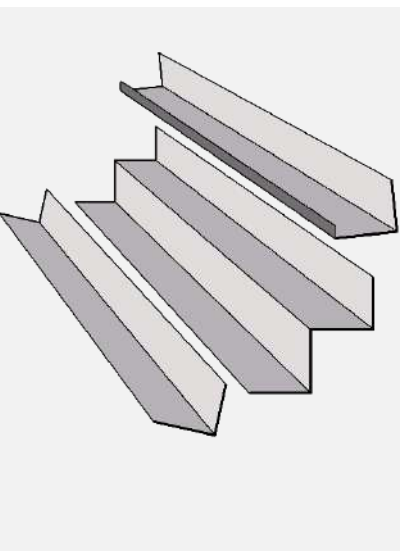


**COST-EFFECTIVE**

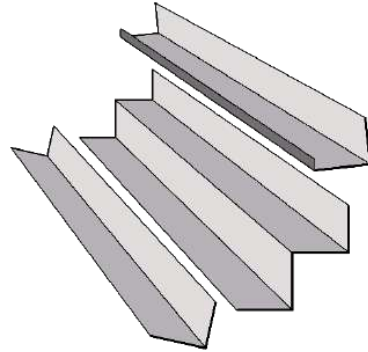
**DURABLE**

**PRECISION**





## Special Profiles



A = Width	B = Various	t = Thickness	Length
Custom	Custom	Gauge: 25 20 18 16 14 12	Custom

**Note:** Custom lengths and sizes are available for all studs, tracks, and drywall accessories

## USAGE & CHARACTERISTICS

**Use Case:** Custom profiles and special shapes available on request.

**Description:** Based on your specific needs, DASS will customize any profile or shape using an extensive selection of widths, lengths, and thicknesses. Enquire for availability.

## DESIGN & ENGINEERING STANDARDS





CSSBI Certificate Number:  
Q108356

DASS Special Profiles are designed and engineered to meet or exceed CSSBI Standard 61-2018.

CSSBI is an institute which complies with AISI, ASTM, and CSA standards under a certification program monitored and inspected by a third party.

### CONTACT US

 905 677 0456

 905 678 6587

 sales@dassmetal.com

 1575 Drew Rd  
Mississauga  
ON L5S 1S5



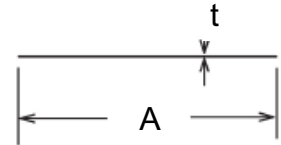
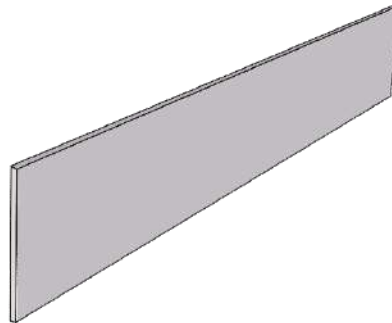
**COST-EFFECTIVE**

**DURABLE**

**PRECISION**




## Flat Strips




A = Width	t = Thickness	Standard Length
Any	Gauge:	10' & Custom
	25	
	20	
	18	
	16	
	14	
	12	

**Note:** Custom lengths and sizes are available for all studs, tracks, and drywall accessories

## CONTACT US

 905 677 0456

 905 678 6587

 sales@dassmetal.com

 1575 Drew Rd  
Mississauga  
ON L5S 1S5

## USAGE & CHARACTERISTICS

**Use Case:** Applications requiring backing, e.g. fastening a handrail.

**Description:** Providing significant resistance to lateral loads, DASS Flat Strips cater to framing applications such as wall bracing to resist racking and comply with seismic requirements.

## DESIGN & ENGINEERING STANDARDS



CSSBI Certificate Number:  
Q108356

DASS Flat Strips are designed and engineered to meet or exceed CSSBI Standard 61-2018.

CSSBI is an institute which complies with AISI, ASTM, and CSA standards under a certification program monitored and inspected by a third party.

**COST-EFFECTIVE**

**DURABLE**

**PRECISION**



## Hanger Wire



Hanger Wire



Tie Wire

Type	Thickness	Length
Hanger Wire	Gauge: 9, 12	12'
Pencil Rod	3/16	12'
Tie Wire	18	27"

**Note:** Custom lengths and sizes are available for all studs, tracks, and drywall accessories

## USAGE & CHARACTERISTICS

**Use Case:** To suspend channels from floor joists or deck.

**Description:** Hanger wire is used for suspension of channels, mainly in ceilings. Drywall furring channel is installed perpendicular to the channel. Steel stud maybe used for perimeter connection of gypsum board.

## DESIGN & ENGINEERING STANDARDS





CSSBI Certificate Number:  
Q108356


DASS Special Profiles are designed and engineered to meet or exceed CSSBI Standard 61-2018.

CSSBI is an institute which complies with AISI, ASTM, and CSA standards under a certification program monitored and inspected by a third party.

## CONTACT US

 905 677 0456

 905 678 6587

 sales@dassmetal.com

 1575 Drew Rd  
Mississauga  
ON L5S 1S5

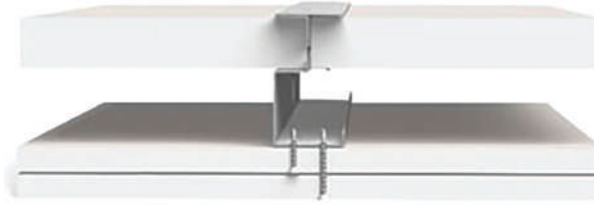
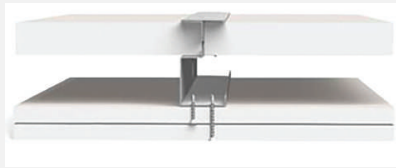


**COST-EFFECTIVE**

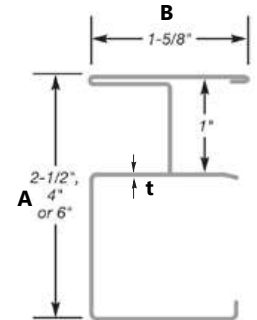
**DURABLE**

**PRECISION**

## Shaftwall Stud





CH STUD



A = Width	B = Leg	t = Thickness	Length
2-1/2"	2-1/4"	Gauge: 20, 25	8'
4"	3"	20, 25	10'
6"		25	12'
			14' & Custom

### CONTACT US

 905 677 0456

 905 678 6587

 [sales@dassmetal.com](mailto:sales@dassmetal.com)

 1575 Drew Rd  
Mississauga  
ON L5S 1S5

### USAGE & CHARACTERISTICS

**Use Case:** Designed to enclose shaftwalls.

**Description:** Used in shafts containing elevators, ducts, piping, air shafts and similar construction applications. 1" shaftliner panels supported by 2-1/2", 4" or 6" C-T studs faced on one side by two layers of gypsolite board.

### DESIGN & ENGINEERING STANDARDS



CSSBI Certificate Number:  
Q108356

DASS Special Profiles are designed and engineered to meet or exceed CSSBI Standard 61-2018.

CSSBI is an institute which complies with AISI, ASTM, and CSA standards under a certification program monitored and inspected by a third party.

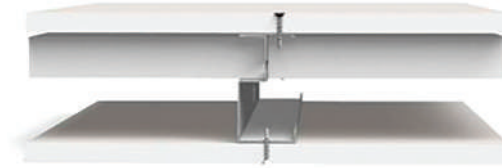
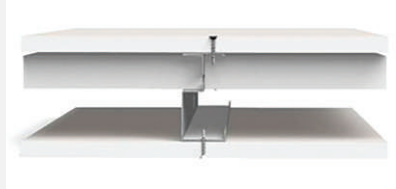
**COST-EFFECTIVE**

**DURABLE**

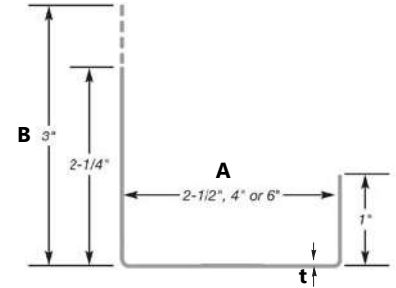
**PRECISION**



## Shaftwall J-Track





J - Runner



A = Width	B = Leg	t = Thickness	Length
2-1/2"	2-1/4"	Gauge: 20, 25	10'
4"	3"	20, 25	
6"		20	

### CONTACT US

 905 677 0456

 905 678 6587

 [sales@dassmetal.com](mailto:sales@dassmetal.com)

 1575 Drew Rd  
Mississauga  
ON L5S 1S5

### USAGE & CHARACTERISTICS

**Use Case:** Designed to enclose stairwalls.

**Description:** This system is finished on both sides with a single layer of 1/2" Type C OR 5/8" Type X gypsum board.

### DESIGN & ENGINEERING STANDARDS



CSSBI Certificate Number:  
Q108356

DASS Special Profiles are designed and engineered to meet or exceed CSSBI Standard 61-2018.

CSSBI is an institute which complies with AISI, ASTM, and CSA standards under a certification program monitored and inspected by a third party.

**COST-  
EFFECTIVE**

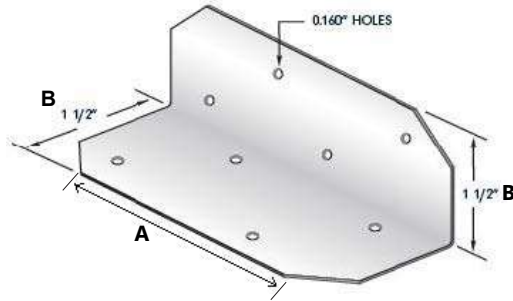
**DURABLE**

**PRECISION**







## Bridging Clip



A = Length(in)	B = Width(in)	Thickness
3-1/4"	1.5	Gauge: 16
5-1/2"	1.5	
7-1/2"	1.5	

### CONTACT US

 905 677 0456

 905 678 6587

 sales@dassmetal.com

 1575 Drew Rd  
Mississauga  
ON L5S 1S5

## USAGE & CHARACTERISTICS

**Use Case:** Installation of bridging channels with the stud.

**Description:** Dass Bridging Clip is a unique design engineered for quick and sturdy installation of Dass Bridging Channel, both load bearing and non-load bearing applications.

## DESIGN & ENGINEERING STANDARDS



CSSBI Certificate Number:  
Q108356

DASS Special Profiles are designed and engineered to meet or exceed CSSBI Standard 61-2018.

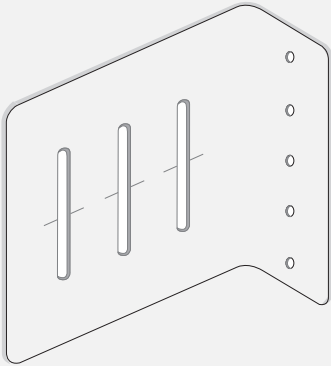
CSSBI is an institute which complies with AISI, ASTM, and CSA standards under a certification program monitored and inspected by a third party.

**COST-  
EFFECTIVE**

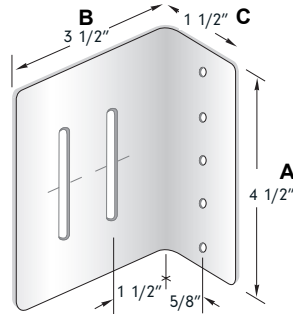
**DURABLE**

**PRECISION**

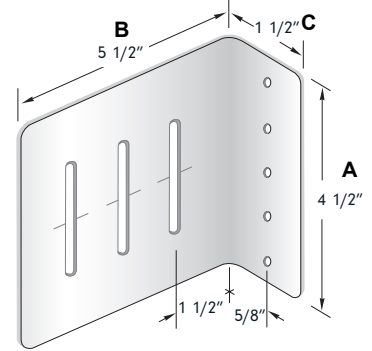




## Webslide Clip



**WSC 350**



**WSC 550**

A = Length	B = Width	C = Height
4.5"	3.5"	1.5"
4.5"	5.5"	1.5"

## CONTACT US



905 677 0456



905 678 6587



sales@dassmetal.com



1575 Drew Rd  
Mississauga  
ON L5S 1S5

## USAGE & CHARACTERISTICS

**Use Case:** To allow for building structure deflection on exterior walls.

**Description:** Webslide Clips are used on exterior curtain wall studs to allow for building structure deflection at the top of the wall, it accommodates standoff situations where required.

## DESIGN & ENGINEERING STANDARDS



CSSBI Certificate Number:  
Q108356

DASS Special Profiles are designed and engineered to meet or exceed CSSBI Standard 61-2018.

CSSBI is an institute which complies with AISI, ASTM, and CSA standards under a certification program monitored and inspected by a third party.

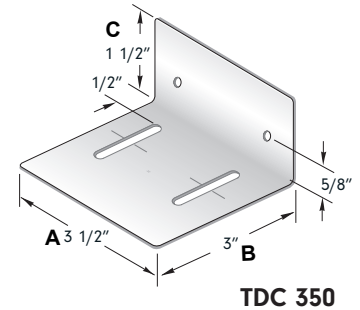
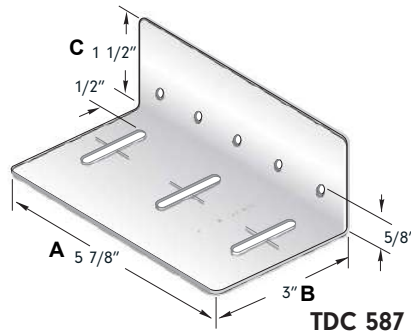
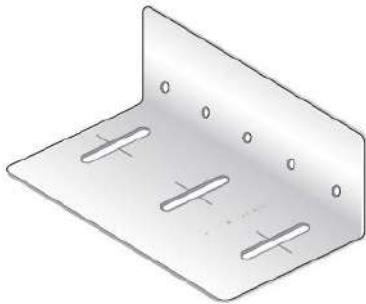


**COST-EFFECTIVE**

**DURABLE**


**PRECISION**


## Deflection Side Clip



A = Length	B = Width	C = Height
5.87	3"	1.5"
3.5	3"	1.5"

### CONTACT US

 905 677 0456

 905 678 6587

 sales@dassmetal.com

 1575 Drew Rd  
Mississauga  
ON L5S 1S5

## USAGE & CHARACTERISTICS

**Use Case:** To allow for building structure deflection at the top of the wall.

**Description:** Deflection Clips are used on exterior curtain wall studs to allow for building structure deflection at the top of the wall, can also be used for non-load bearing requirements.

## DESIGN & ENGINEERING STANDARDS



CSSBI Certificate Number:  
Q108356

DASS Special Profiles are designed and engineered to meet or exceed CSSBI Standard 61-2018.

CSSBI is an institute which complies with AISI, ASTM, and CSA standards under a certification program monitored and inspected by a third party.

**COST-EFFECTIVE**

**DURABLE**

**PRECISION**

